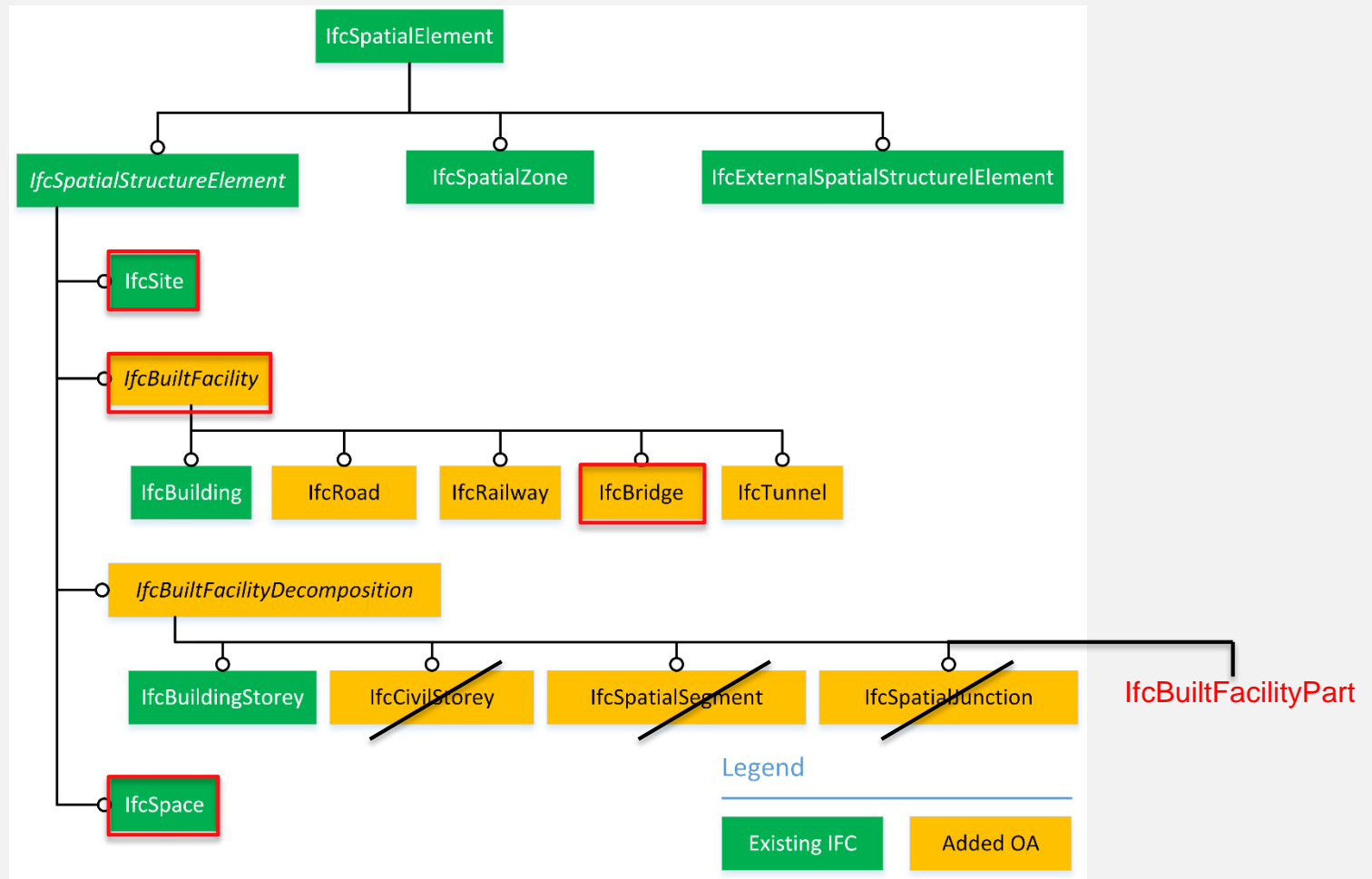


IFC-BRIDGE

BRIDGE INSTANCE DIAGRAMS

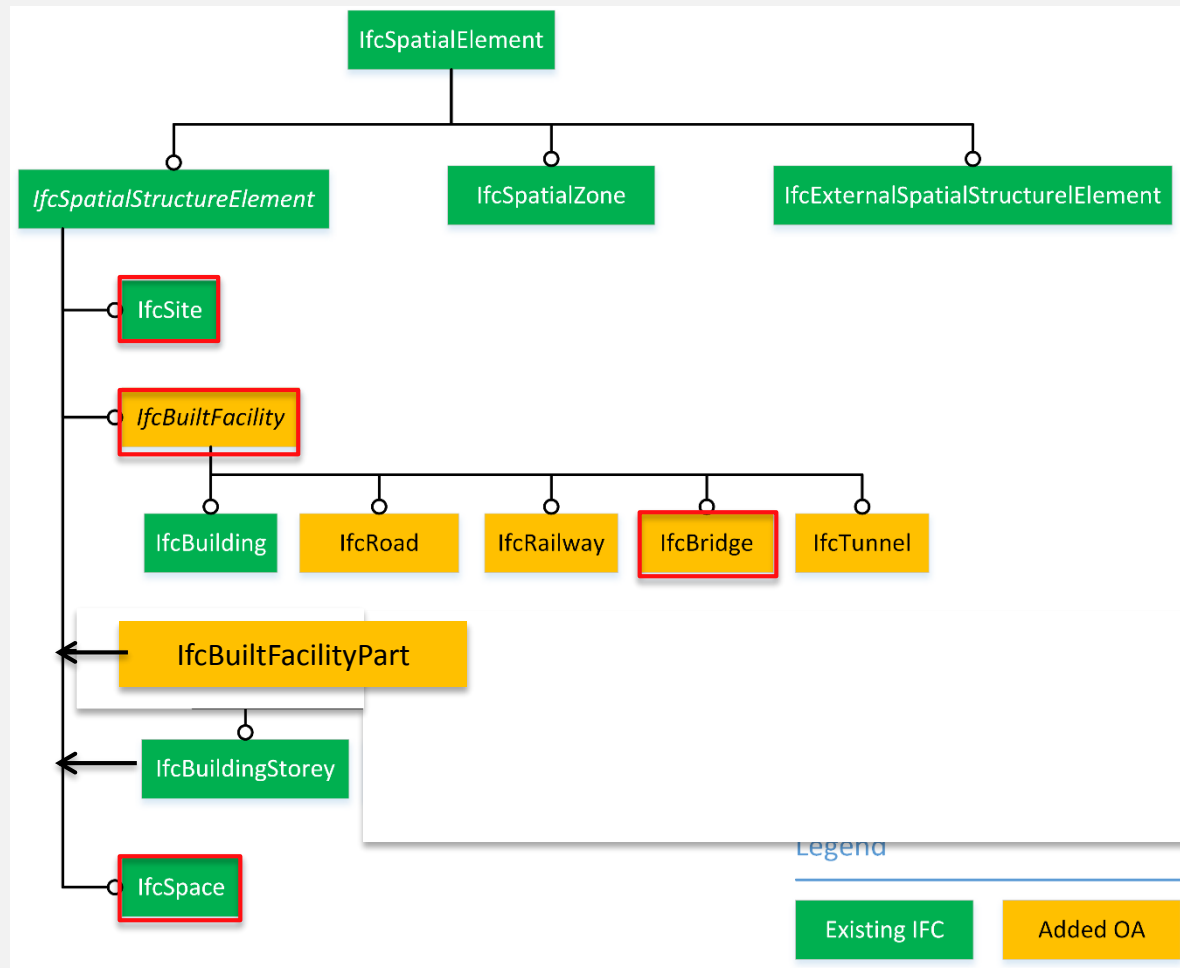
IFC-Bridge Project Team

Spatial Structure



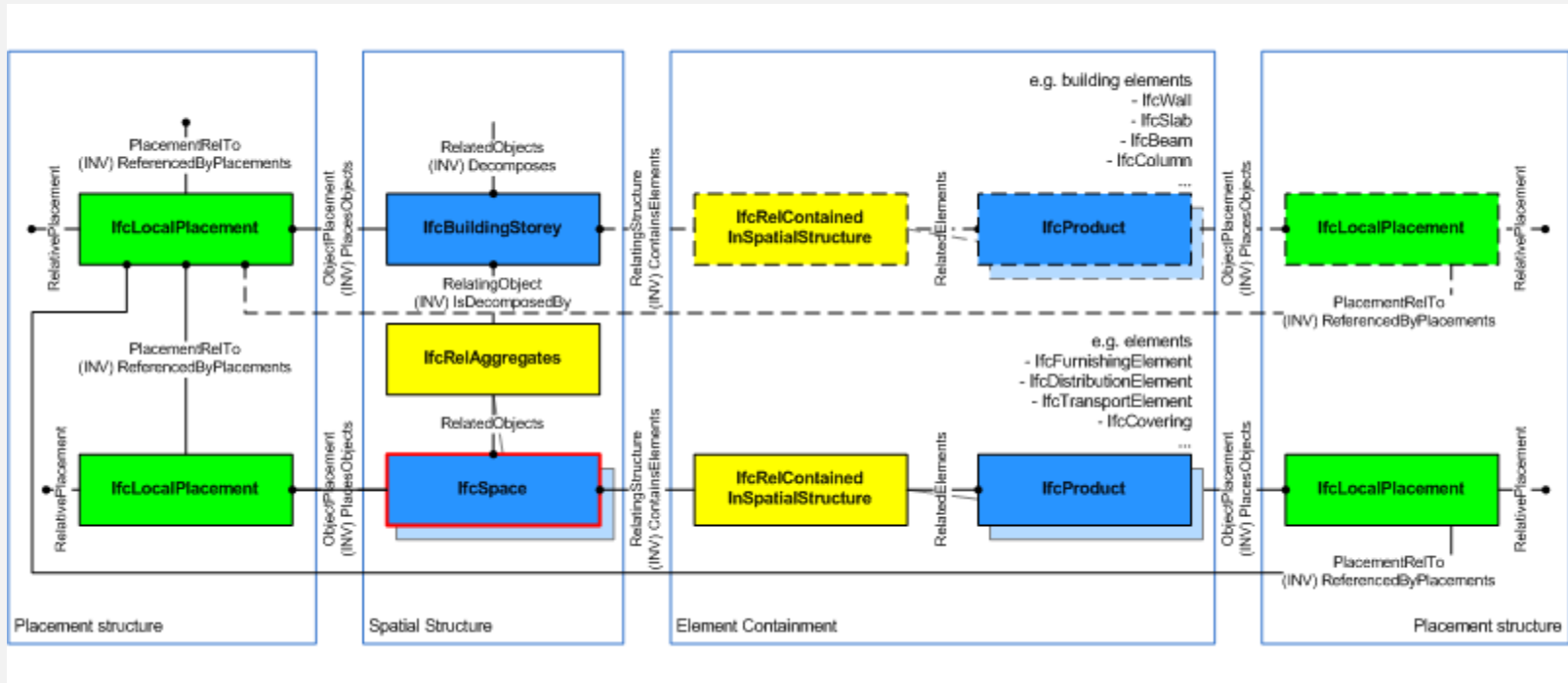
Proposal by Jim Plume (Overall Architecture Project)

Spatial Structure



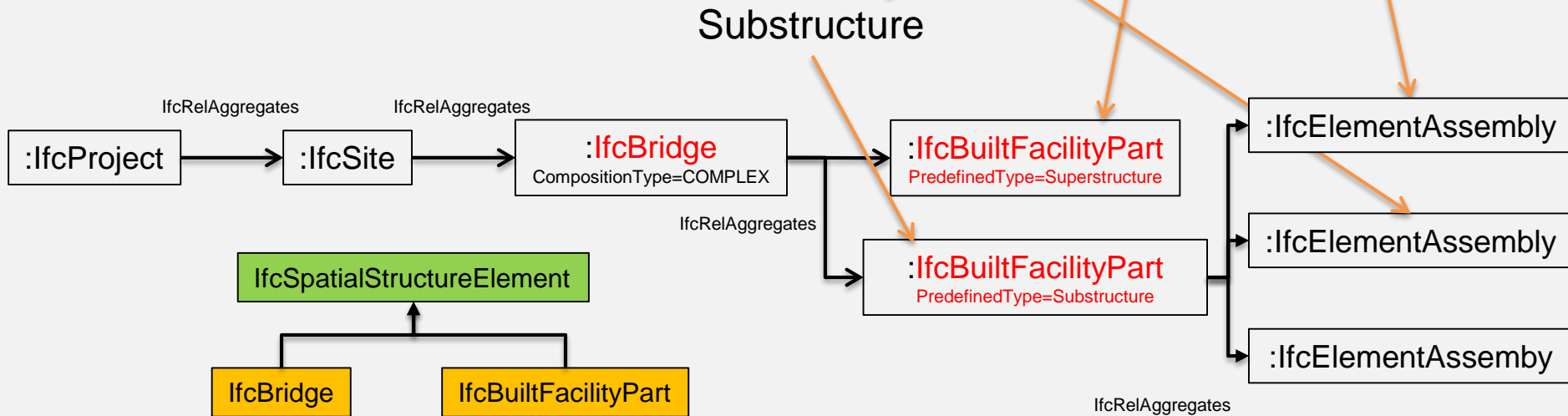
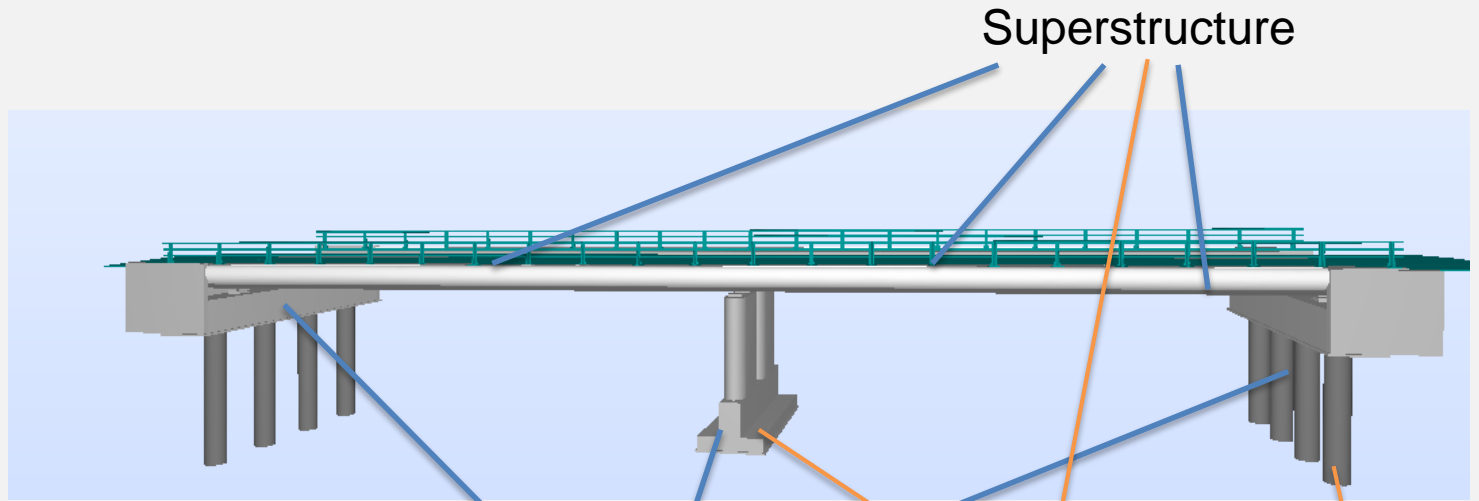
Proposal by Jim Plume (Overall Architecture Project)

Spatial Structure



Existing Structure (from IFC4 Doc)

Spatial Structure – Version 1

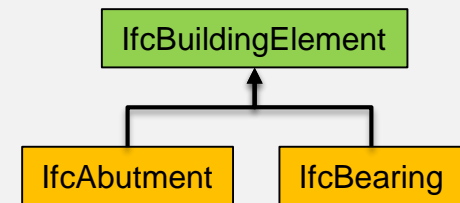
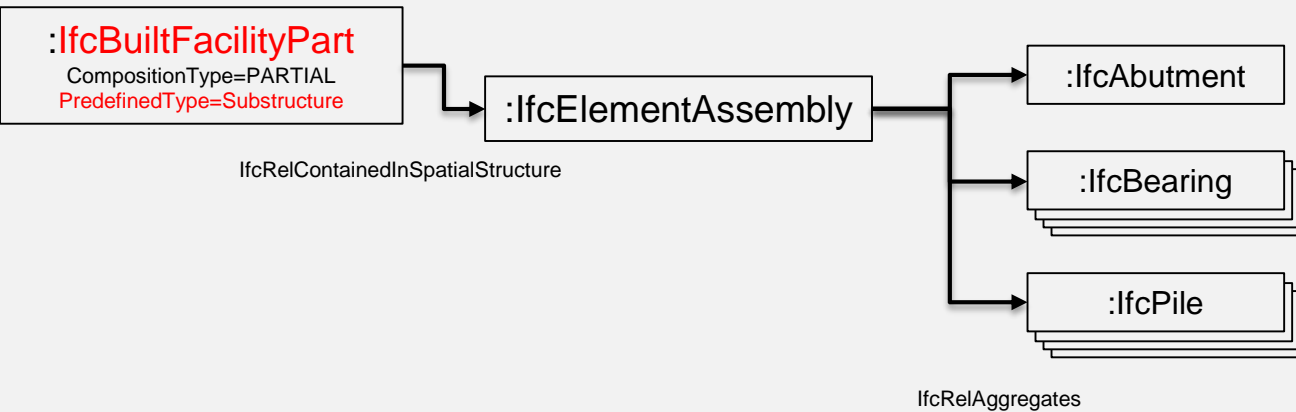
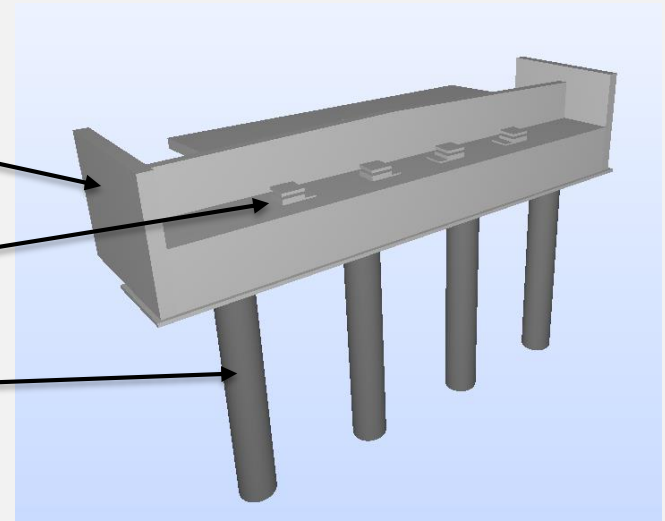


Spatial Containment: Substructure

Abutment

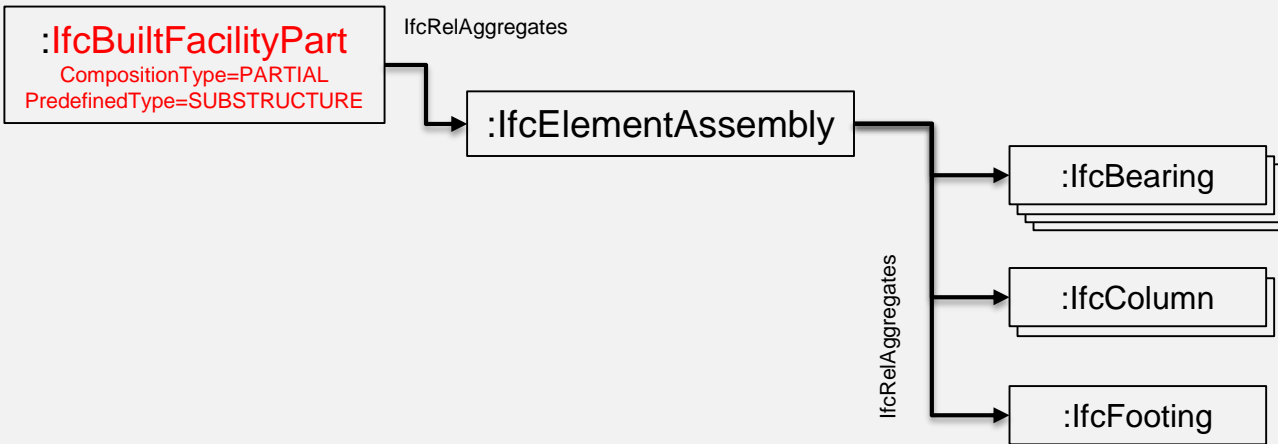
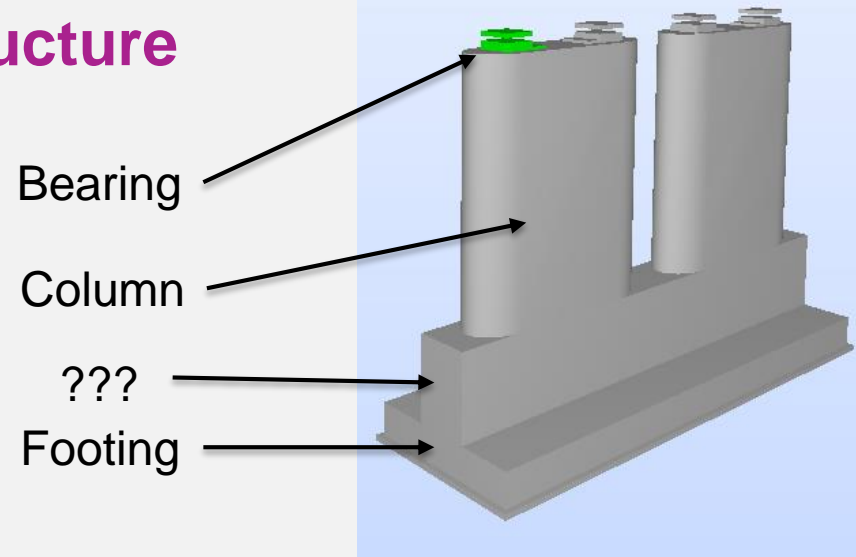
Bearing

Pile



New Elements **IfcAbutment**, **IfcBearing**?

Spatial Containment: Substructure



Usage of *IfcRelContainedInSpatialStructure*?

Spatial Containment: Superstructure

